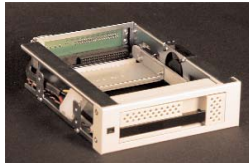


STORAGE SUPPORT SOLUTIONS



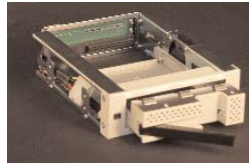
REMOVABLE DRIVE MODULE SOLUTIONS



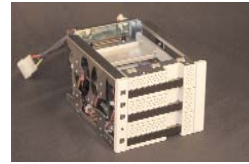
E100



E100 Black



E100 Open



E300



E300 Black



E400 Black



E400



3 E300's in a Rack Chassis



E100 in an E501



E300 in an E502



3 E300's in a Tower



E400 in a Server

E100/E300/E400 LP HDD REMOVABLE DRIVE MODULES

- Turnkey solution includes:
 - 4 pin DC power connector
 - Black or Beige Colors
 - 3.5" LP drive trays
 - Aluminum drive tray provides conductive heat transfer, portability, and strength.
 - Dual cooling fans on E300/E400
 - Single cooling fan on E100
 - Audible-visual fan alarm with audible reset button on E300/E400
 - Drive activity LED's
 - ID jumpers on SCSI and FC versions

- Interfaces available:
 - SCSI
 - LVD-320
 - ATA/IDE
 - SATA
 - Fibre Channel
- Highest quality on the market
 - PDE is ISO 9000:2000 certified
 - 1 year warranty
- Space Saving Storage
 - E300 holds 3 HDD's in 2 1/2 ht bays

- E400 holds 4 HDD's in 3 1/2 ht bays
- Maximum flexibility
 - **Can be configured for:**
 - FC Copper, FC Optical, SCSI, ATA, SATA
 - Flexible cable and I/O solution
 - Drive trays are interchangeable between E100, E300, E400, drive modules
 - Can be used in enclosures, servers, rackmount chassis, etc.
- Designed to exceed requirements for 15,000 RPM and LVD Drives

Distributed by:

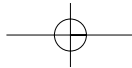


PDE TECHNOLOGY CORPORATION

Headquarters
 11522 Markon Drive
 Garden Grove, CA 92841
 Phone: 714.799.1704
 Fax: 714.799.1705
 pdetechnology.com

European Office
 Basepoint Enterprise Centre
 Stroudley Road
 Basingstoke Hants
 RG24 8UP, England
 Phone: 44 (0) 1256 406733
 Fax: 44 (0) 1256 406735
 pdetechnology.co.uk

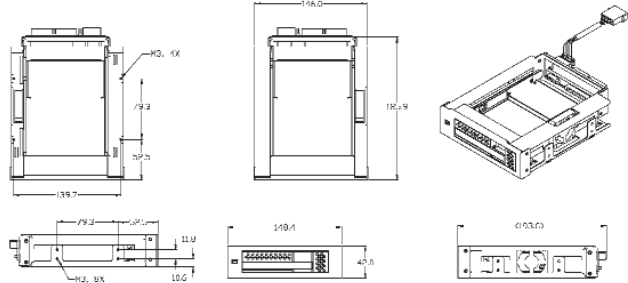
*PDE, the oval device, Storage Support Solutions and Pro Drive Enhancement are trademarks of PDE Technology Corp.



E100

- 14-1232-04 E100 SCSI/LVD BLACK 1 REM. DR. KIT
- 14-1232-01 E100 SCSI/LVD BEIGE 1 REM. DR. KIT
- 14-1230-04 E100 ATA IBM/HIT/SEA BLACK 1 REM. DR. KIT
- 14-1230-01 E100 ATA IBM/HIT/SEA BEIGE 1 REM. DR. KIT
- 14-1231-04 E100 ATA MAXTOR BLACK 1 REM. DR. KIT
- 14-1231-01 E100 ATA MAXTOR BEIGE 1 REM. DR. KIT
- 14-1429-04 E100 ATA WD BLACK 1 REM. DR. KIT
- 14-1429-01 E100 ATA WD BEIGE 1 REM. DR. KIT
- 14-1229-04 E100 SATA/SERIAL ATA BLACK 1 REM. DR. KIT
- 14-1229-01 E100 SATA/SERIAL ATA BEIGE 1 REM. DR. KIT
- 14-1303-04 E100 FC/FIBRE CHANNEL BLACK 1 REM. DR. KIT
- 14-1303-01 E100 FC/FIBRE CHANNEL BEIGE 1 REM. DR. KIT

Weight 1.6 lbs

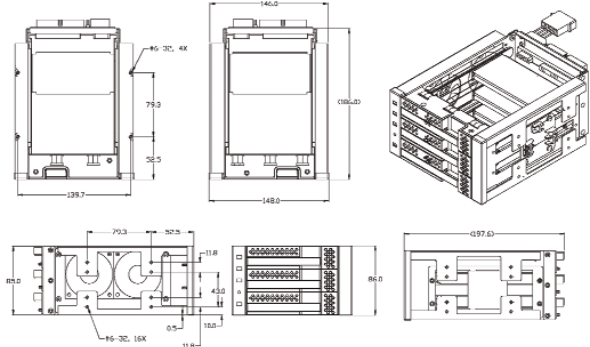


E300

- 14-1179-04 E300 SCSI/LVD BLACK 3 REM. DR. KIT
- 14-1180-01 E300 SCSI/LVD BEIGE 3 REM. DR. KIT
- 14-1197-04 E300 ATA IBM/HIT/SEA BLACK 3 REM. DR. KIT
- 14-1198-01 E300 ATA IBM/HIT/SEA BEIGE 3 REM. DR. KIT
- 14-1224-04 E300 ATA MAXTOR BLACK 3 REM. DR. KIT
- 14-1225-01 E300 ATA MAXTOR BEIGE 3 REM. DR. KIT
- 14-1430-04 E300 ATA WD BLACK 3 REM. DR. KIT
- 14-1430-01 E300 ATA WD BEIGE 3 REM. DR. KIT
- 14-1260-04 E300 SATA/SERIAL ATA BLACK 3 REM. DR. KIT
- 14-1260-01 E300 SATA/SERIAL ATA BEIGE 3 REM. DR. KIT
- 14-1249 E300 FC/FIBRE CHANNEL BLACK 3 REM. DR. KIT
- 14-1428 E300 FC/FIBRE CHANNEL BEIGE 3 REM. DR. KIT

Weight 3.1 lbs

Click on the drawing to zoom in for more detail

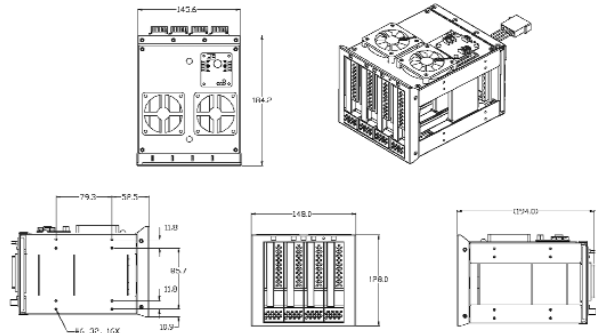


E400

- 14-1144-04 E400 SCSI/LVD BLACK 4 REM. DR. KIT
- 14-1173-01 E400 SCSI/LVD BEIGE 4 REM. DR. KIT
- 14-1195-04 E400 ATA IBM/HIT/SEA BLACK 4 REM. DR. KIT
- 14-1196-01 E400 ATA IBM/HIT/SEA BEIGE 4 REM. DR. KIT
- 14-1222-04 E400 ATA MAXTOR BLACK 4 REM. DR. KIT
- 14-1223-01 E400 ATA MAXTOR BEIGE 4 REM. DR. KIT
- 14-1431-04 E400 ATA WD BLACK 4 REM. DR. KIT
- 14-1431-01 E400 ATA WD BEIGE 4 REM. DR. KIT
- 14-1259-04 E400 SATA/SERIAL ATA BLACK 4 REM. DR. KIT
- 14-1259-01 E400 SATA/SERIAL ATA BEIGE 4 REM. DR. KIT
- 14-1251 E400 FC/FIBRE CHANNEL BLACK 4 REM. DR. KIT
- 14-1250 E400 FC/FIBRE CHANNEL BEIGE 4 REM. DR. KIT

Weight 4.2 lbs

Click on the drawing to zoom in for more detail



SPARE PARTS AND ENCLOSURE OPTIONS

- 11-1001 **EXTERNAL ENCLOSURES TO HOLD E100 SCSI:**
E501 BEIGE WIDE SCSI HD ENCLOSURE
- 11-1027 E501 BLACK WIDE SCSI HD ENCLOSURE

- 11-1013 **EXTERNAL ENCLOSURES TO HOLD 2 E100's OR E300 SCSI:**
E502 BEIGE 2BAY WIDE SCSI ENCLOSURE
- 11-1080 E502 BLACK 2BAY WIDE SCSI ENCLOSURE

- 11-1043 **EXTERNAL ENCLOSURES TO HOLD E400 SCSI OR 2 E300's SCSI :**
E504 BEIGE 4BAY WIDE SCSI ENCLOSURE
- 11-1180 E504 BLACK 4BAY WIDE SCSI ENCLOSURE

- 11-1089 **EXTERNAL ENCLOSURES TO HOLD 2 E400's SCSI OR 3 E300's SCSI:**
E507 BEIGE 7BAY WIDE SCSI ENCLOSURE
- 11-1129 E507 BLACK 7BAY WIDE SCSI ENCLOSURE

- 11-1009 **EXTERNAL ENCLOSURES TO HOLD 4 E300's SCSI:**
E509 BEIGE 9BAY WIDE SCSI ENCLOSURE
- 11-1041 E509 BLACK 9BAY WIDE SCSI ENCLOSURE

Click on the drawing to zoom in for more detail

- 14-1221-14 HDD TRAY BLACK
- 14-1221-11 HDD TRAY BEIGE
- 14-1200 SCSI/LVD SCA-68 ADAPTER BOARD
- 23-1029 ATA ADAPTER BOARD
- 23-1044 ATA MAXTOR ADAPTER BOARD
- 23-1066 ATA WEST. DIG. ADAPTER BOARD
- 23-1048 FC SCA40-4XPTP ADAPTER BOARD
- 25-1043 E100 FAN ASSEMBLY
- 25-1020-03 E300 FAN ASSEMBLY
- 25-1020-02 E400 FAN ASSEMBLY

ALL TYPES OF CABLES, HARNESSSES, AND TERMINATORS AVAILABLE.

TESTING AND INSPECTION

- Ground
- Alarm
- Cosmetic
- Electrical
- Continuity
- Cooling System
- Functionality
- Mechanical

